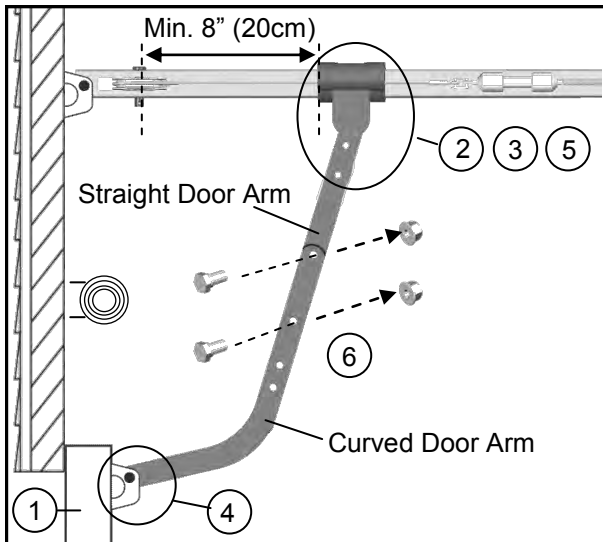


Attaching Door Arms

WARNING

To prevent SERIOUS INJURY:

- DO NOT connect power until instructed.
- Keep hands and fingers away from the sprocket during operation.
- Wear gloves when installing chain and cable.
- Keep hands and fingers away from joints and possible sharp edges.



To Connect Door Arm

Follow the steps shown in Fig. 1

1. CLOSE the door.
2. Move the Emergency Release lever to the downward position to disconnect the Trolley from Trolley Shaft.
3. Slide the Trolley so that it is about 8" (20cm) from the Pulley.
4. Fasten the Curved Door Arm to the door Bracket with 5/16" x 1" Clevis Pin and lock it with a Hitch Pin.
5. Fasten the Straight Door Arm to the Trolley with a 5/16" x 1" Clevis Pin and lock it with a Hitch Pin.
6. To connect the door arms together, choose two pairs of holes which are as far apart as possible. Fasten the arms using two 5/16" x 1" Bolts and Flange Nuts.

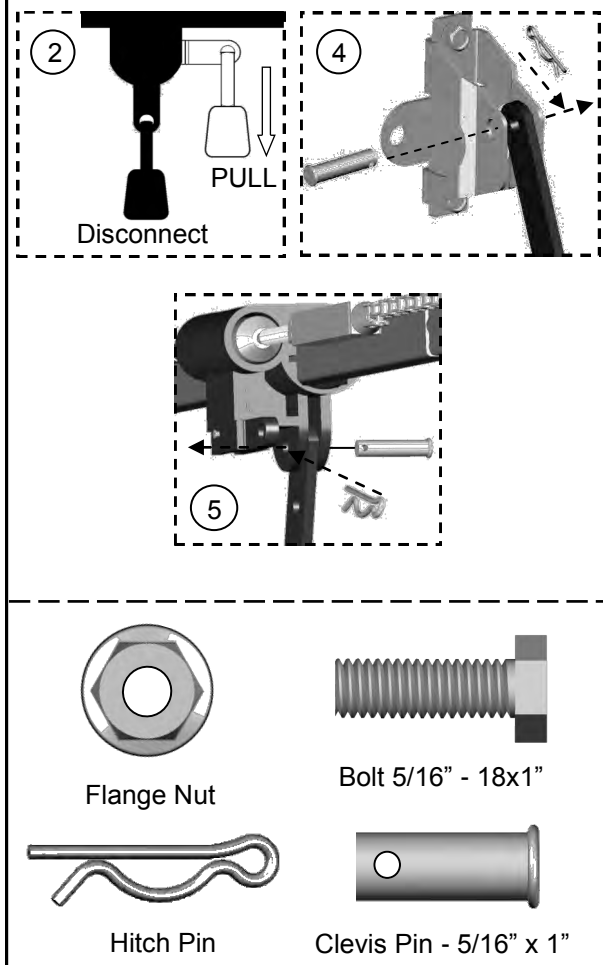


Fig.1