

Installing the Belt

WARNING

To prevent **SERIOUS INJURY**:

- DO NOT connect power until instructed.
- Keep hands and fingers clear from sprocket during operation.
- Wear gloves when installing chain/belt and cable.
- Keep hands and fingers away from joints and possible sharp edges.

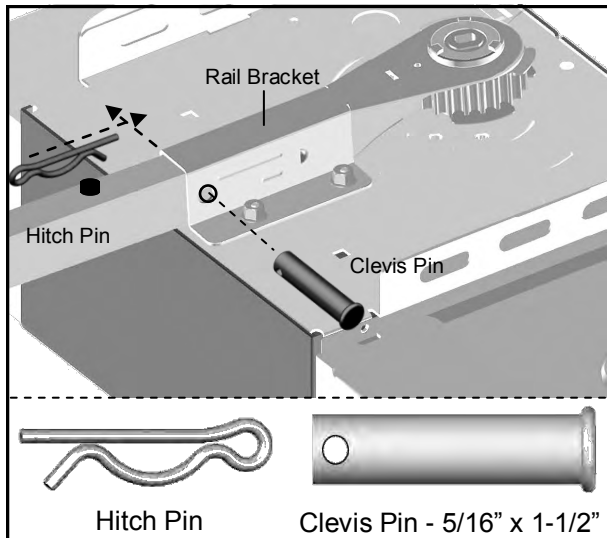


Fig.1

To Secure the Rail on the Opener

With the End Segment of the rail fully inserted into the Rail Bracket, insert a 5/16" x 1-1/2" Clevis Pin through the hole and lock it into position with a Hitch Pin as shown in Fig.1.

To Assemble the Header Section of Rail

Follow steps shown in Fig.2:

1. Place the belt beside the rail as shown
2. Insert a temporary screwdriver into the hole approximately 10-1/4" from the end of the Rail - Header Segment. Slide the trolley against this screw driver. The trolley must stay in this position for proper alignment of the belt.
3. Grasp the end with Trolley-Shaft Connector and pass through the slot on the Rail - Header Segment.
4. Insert the Pulley into the slot while the belt is hanging.
5. Secure the Pulley by inserting the 3/8" x 1-3/4" Clevis Pin through the top of the rail.
6. Lock the Clevis Pin with a Hitch Pin. Rotate the Pulley to ensure it spins smoothly.
7. Connect the Trolley Shaft to the Trolley Shaft Connector on the belt, using the Master Link Set.

Slide the Trolley Shaft into the Trolley until a "click" is heard when they are connected and locked, as shown in Fig.3.

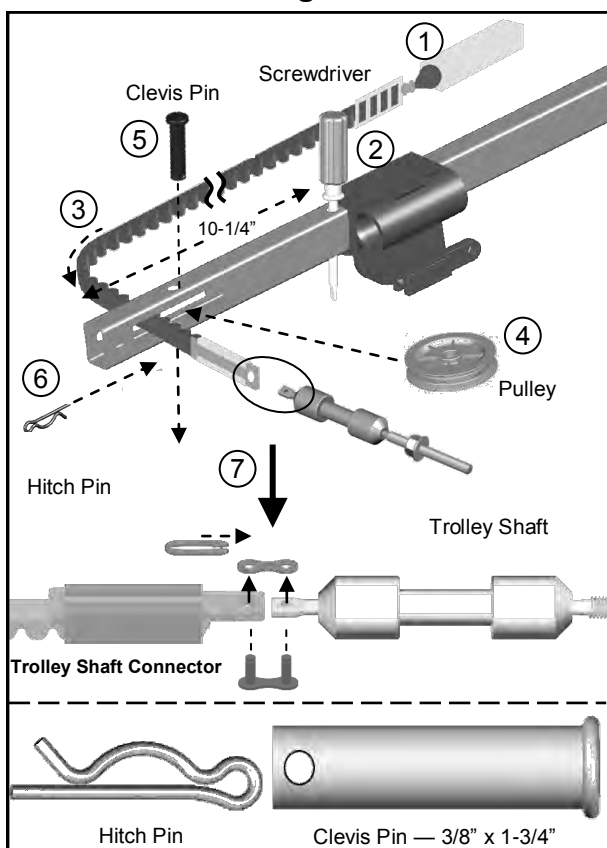


Fig.2

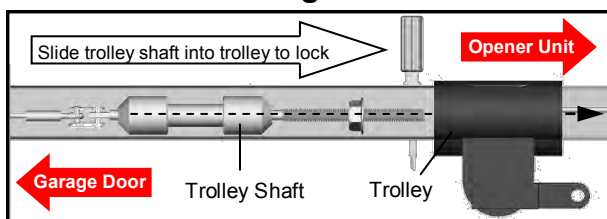


Fig.3