

Connecting Push Button

WARNING

To prevent **SERIOUS INJURY** or **DEATH** from electrocution:

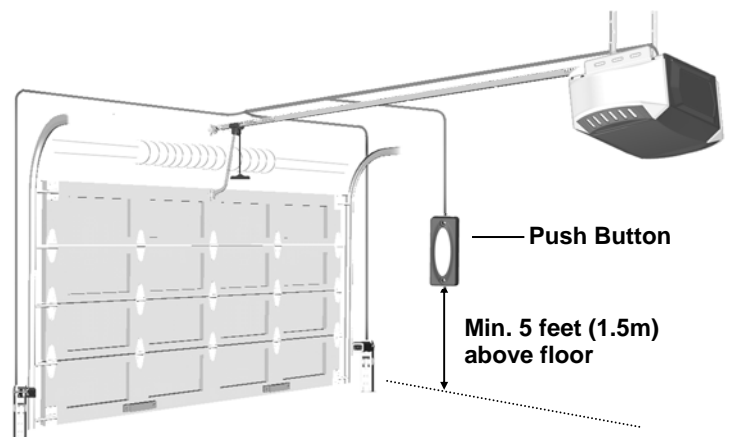
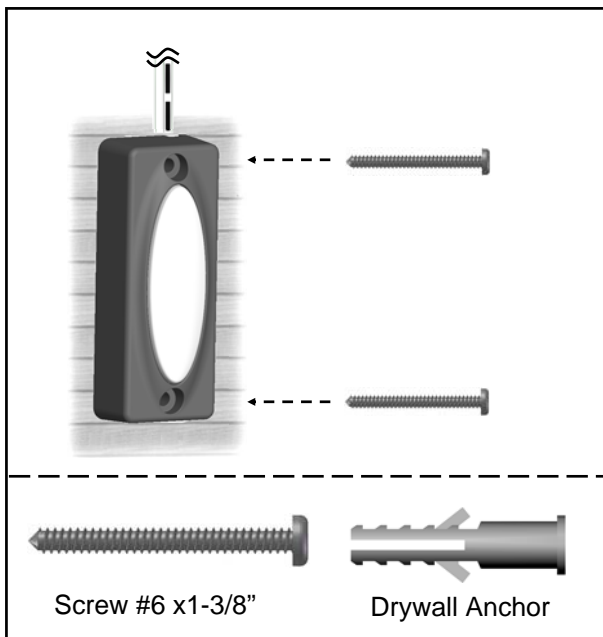
- Power **MUST NOT** be connected until instructed.

To prevent **SERIOUS INJURY** or **DEATH** from using the Push Button and a closing door:

- Install the Push Button within sight of the door at a minimum height of 5 feet (1.5m) above the floor. Make sure it is out of the reach of children and moving parts of door and hardware.
- **NEVER** permit children to access the Push Button or remote Transmitters.
- Operate the door **ONLY** when it is adjusted properly with no obstructions present and is in clear sight.
- **ALWAYS** keep a moving door in sight until it's completely closed.
- **NEVER** cross the path of a moving door.



NOTICE: Use Xtreme brand Push Button only. Use of other brands of Push Buttons or buttons may cause issues or damage to your opener.



The Push Button is a wired, illuminated door control placed inside your garage.

To install the Push Button:

1. Inside your garage, install the Push Button within sight of the door at a minimum height of 5 feet (1.5m) off the ground. Ensure it is installed out of the reach of children and free from the moving parts of the door and hardware.
2. With the "Bell" icon on the rear cover facing you, securely fasten it to a solid surface with 1"-3/8" screws. If attaching to drywall or other hollow surface, drill 3/16" holes and use the provided Drywall Anchors.

To Connect the Push Button to the Opener

Connect the pair of wires from the Push Button to the pair of "PUSH BUTTON" terminals on the rear of the Opener. Refer to **Wiring Instructions** on page 13 to ensure wires are properly connected.

