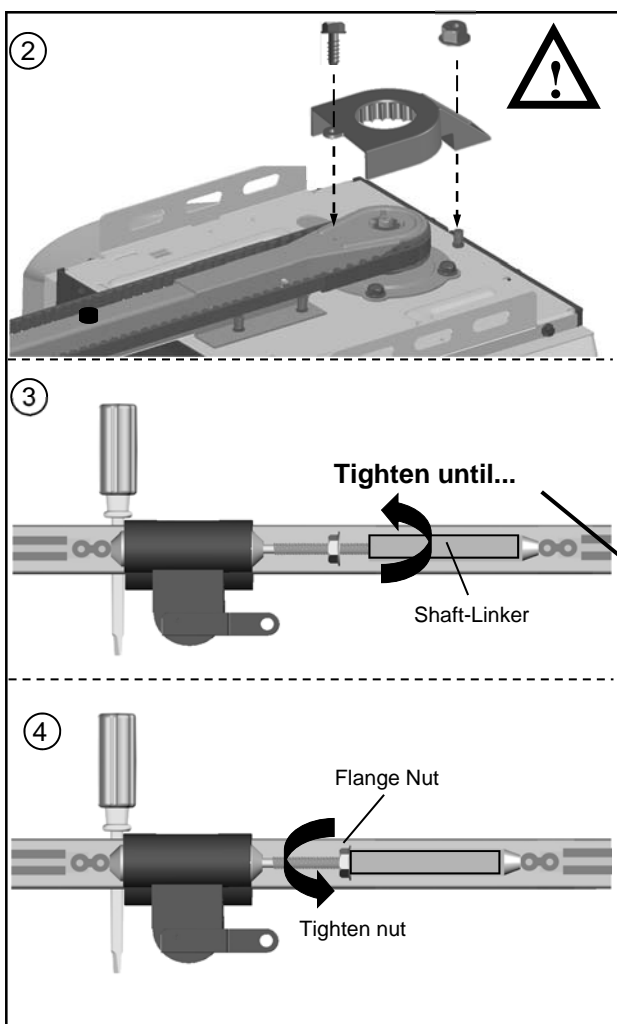
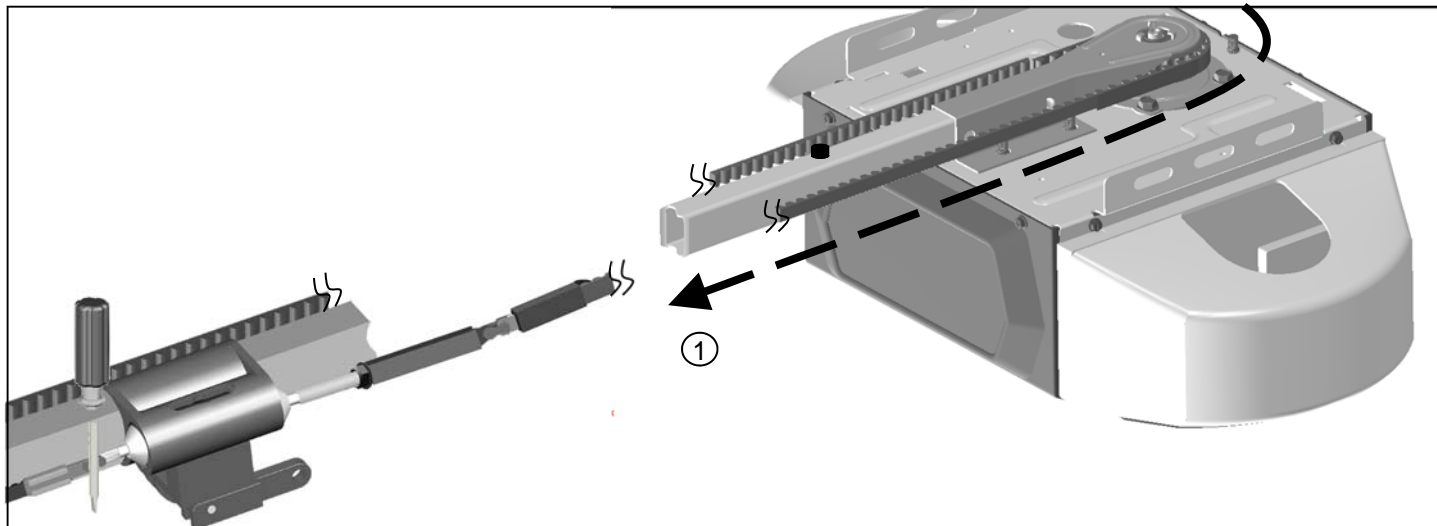


Installing the Belt

WARNING

To prevent **SERIOUS INJURY**:

- DO NOT connect power until instructed.
- Keep hands and fingers clear from sprocket during operation.
- Wear gloves when installing chain/belt and cable.
- Keep hands and fingers away from joints and possible sharp edges.



To Connect and Tension the Belt

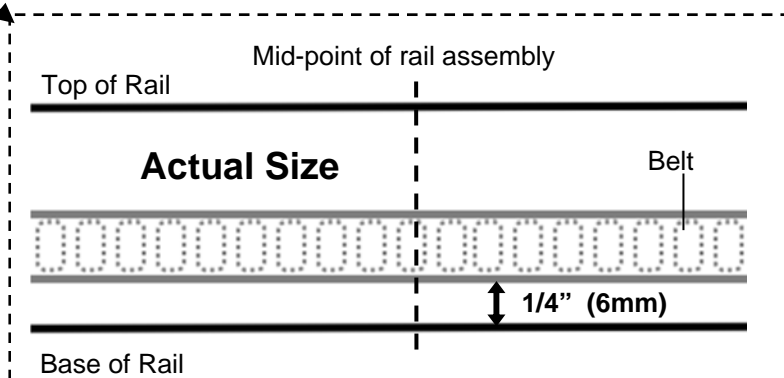
Follow steps shown in Fig.1 to connect & tighten the belt:

1. With the trolley positioned against the screwdriver, pull the remaining belt straight along the rail and engage belt teeth around the sprocket. (Make sure the belt is not twisted around the rail.)
2. After the belt is connected, attach the Sprocket Cover to the opener with the screw and nut provided.



THE SPROCKET COVER MUST BE SECURELY INSTALLED!

3. Rotate the Shaft Linker towards the Trolley Shaft until the belt is slightly loose about 1/4" (6mm) above the base of the rail, referring to the actual-sized illustration below.



4. Tighten the Flange Nut on Trolley Shaft against the Shaft-Linker.

Remove the temporary screw driver holding the position of the trolley.