

Travel Limit Adjustment— I. UP Limit

WARNING

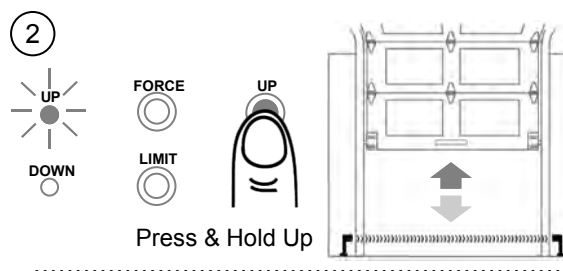
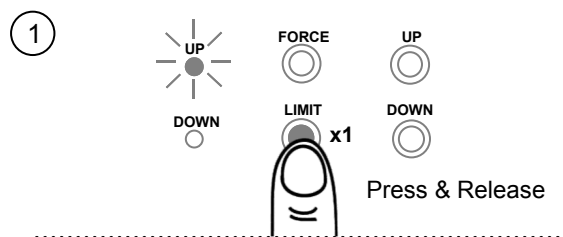
To prevent SERIOUS INJURY or DEATH from improper Force Adjustment:

- YOU CANNOT adjust force manually to compensate for binding or sticking of the garage door. Call a qualified garage door service person to make necessary adjustments in case of binding.
- YOU CANNOT manually increase the force required for closing the door.
- After ANY adjustments, Safety Reverse Test MUST be performed to ensure the door reverses on contact with a 1.5" high object (2x4 laid flat).

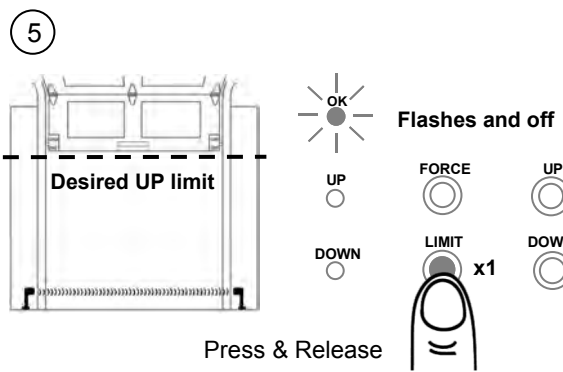
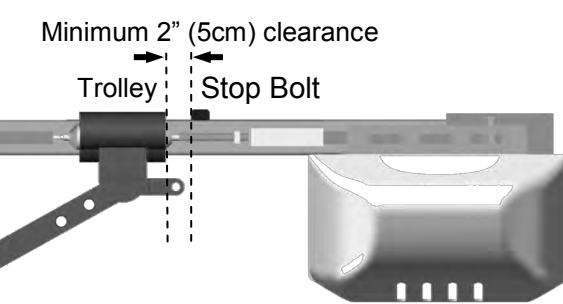


NOTICE: This opener will not work until you set the travel limits and the auto force adjustment. You must follow all steps on pages 16,17,18.

I. Setting UP Limit



*** DO NOT HIT STOP BOLT ***



About Travel UP Limit Adjustment

Travel "UP" Limit Adjustment regulates the fully-open (UP limit) position. This step will program how far the opener will open the garage door.

Make sure the trolley is engaged, photo eyes are installed P.14 and photo eyes are aligned P.15 before proceeding with adjustments.

I. Setting Travel UP Limit

1. Press and Release "LIMIT" button **ONCE** to enter Travel Limit Adjustment. "UP" indicator (green) will turn on*.
*NOTE: Once you have pressed and released the "Limit" button, the "UP" light will stay on for 10 seconds. You must press & hold the "UP" button within 10 seconds to begin programming. If the "UP" light turns off before pressing and holding the "UP" you will need to start over.
2. **With green indicator on**, press & hold the "UP" button, the door will travel up. You may use both "UP" or "DOWN" buttons to inch-adjust the door to the desired UP limit position.
3. **DO NOT HIT STOP BOLT!** There is a minimum 2" (5cm) gap between Trolley and Stop Bolt.
4. Make sure there is enough clearance for your vehicle(s), to enter and exit the garage door.
5. Once the door is at the desired UP limit position, press and release "LIMIT" button once, "OK" indicator (orange) flashes and goes off. The UP limit is set.

Continue to page 17 for down limit

