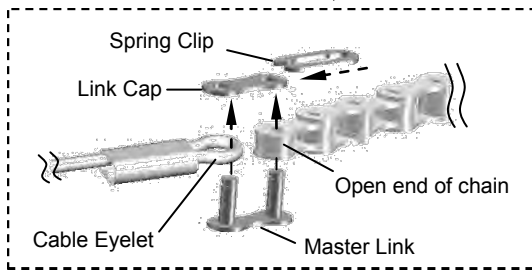
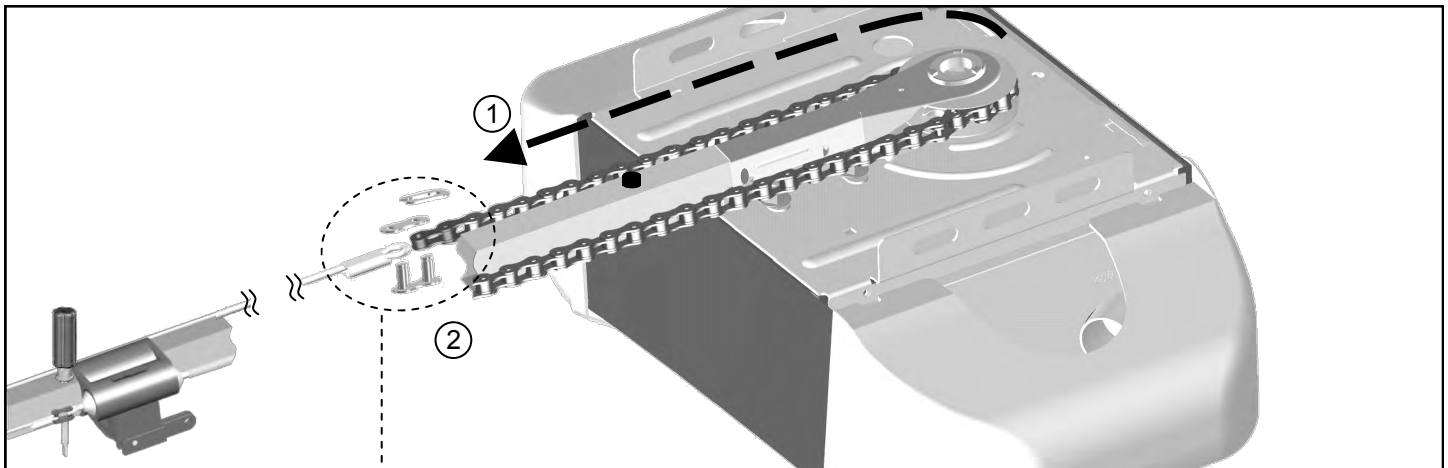


Installing the Chain

WARNING

To prevent **SERIOUS INJURY**:

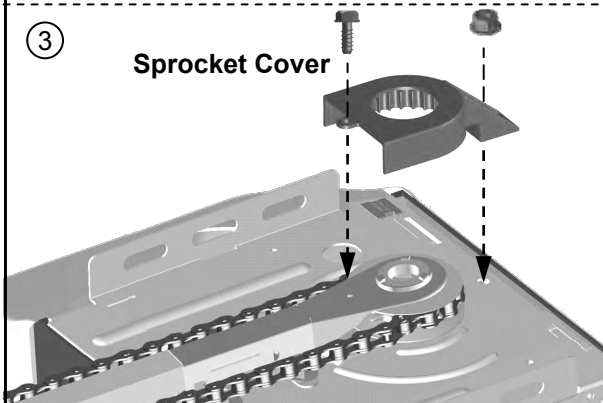
- DO NOT connect power until instructed.
- Keep hands and fingers clear from sprocket during operation.
- Wear gloves when installing chain/belt and cable.
- Keep hands and fingers away from joints and possible sharp edges.



To Connect and Tension the Chain

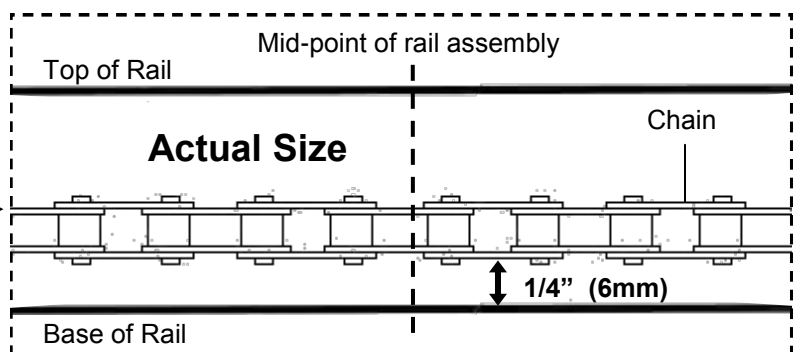
Follow steps shown in Fig.1 to connect & tighten the chain:

1. Align the open end of the chain to the Cable Eyelet and connect together using the Master Link Set.
2. With the trolley positioned against the screwdriver, pull the remaining chain straight along the rail and engage chain teeth around the sprocket. (Make sure the chain is not twisted around the rail.)
3. After the chain is connected, attach the Sprocket Cover to the opener with the screw and nut provided.



*** VERY IMPORTANT! ***
THE SPROCKET COVER MUST BE SECURELY INSTALLED!

4. Rotate the Chain to Cable Connector towards the Trolley Shaft until the chain is slightly loose about 1/4" (6mm) above the base of the rail. Refer to the actual-sized illustration below for proper chain tension.



5. Tighten the Flange Nut on Trolley Shaft against the Chain to Cable Connector.

Remove the temporary screw driver holding the position of the trolley.

