

# Connecting Photo Eye Safety System

## **WARNING**

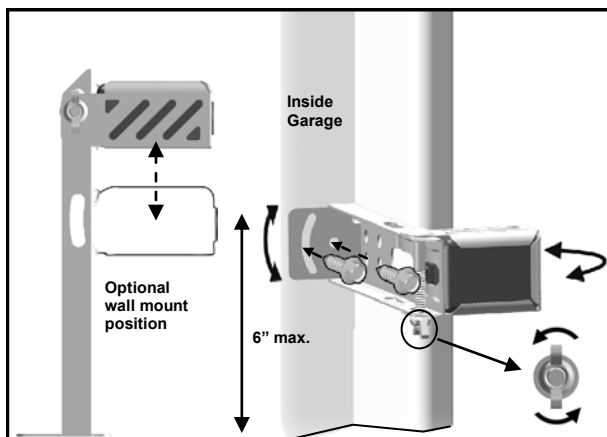
To prevent SERIOUS INJURY or DEATH from electrocution:

- Power **MUST NOT** be connected **BEFORE** Photo Eye Safety system is connected and aligned.
- The Opener will not operate until the Photo Eye Safety System is properly connected and aligned.
- Install the Photo Eyes **NO** higher than 6" (15cm) above the floor.

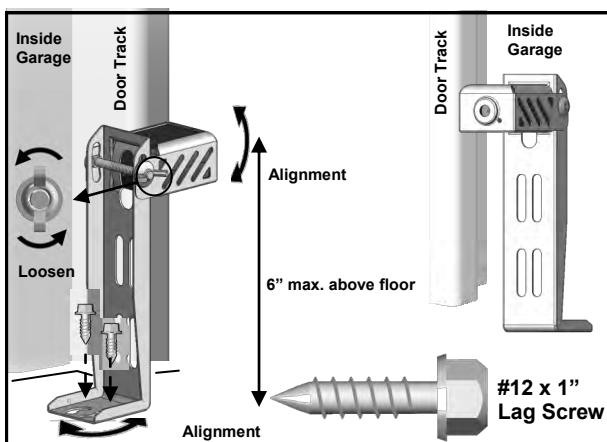


No part of garage door or other objects should obstruct the Photo Eye Safety System during door-closing.

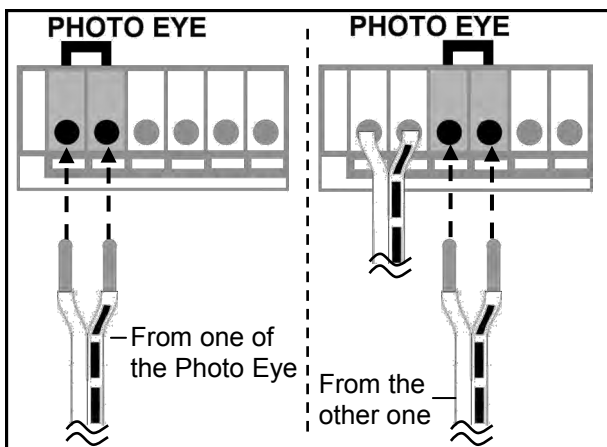
**NOTICE: The opener will not close until the photo eyes are installed. Photo eyes are required by federal law to be installed on all openers.**



**Fig. 1 (Wall Mount)**



**Fig. 2 (Floor Mount)**



**Fig. 3**

## About the Photo Eye Safety System

The Photo Eye Safety System provides protection against entrapment while the door is closing. When properly connected and aligned, the Emitter Photo Eye emits an invisible infrared light beam while the Sensor Photo Eye monitors that beam.

If the beam is obstructed during door-closing, the entrapment protection will be triggered and the door will stop and reverse to the open position. The courtesy light will flash 20 times.

## Installing The Photo Eye Safety System

### Wall-mounting

1. Place the Photo Eyes facing each other on each side of the garage door. Position the sensors so they are no higher than 6" (15cm) above the floor, as shown in Fig.1.
2. Drill 3/16" holes using the mounting holes on the Bracket as a template. Secure with #12 x 1" Lag Screws (provided).
3. If necessary use the Optional Wall-mount Position (Fig.1) to better fit your door-track and improve obstacle avoidance. To adjust the position, loosen the wing nut, disassemble the Bracket and move the Photo Eye to the lower position on the holder.
4. If necessary, align the Photo Eyes by loosening the wing nut. (This step may be further required in **Aligning the Photo Eye Safety System** on page 16.)

### Alternative Floor-mounting

1. Place the Photo Eyes facing each other on each side of the garage door, as shown in Fig.2.
2. If attaching to concrete, secure the photo eyes using concrete anchors and bolts (not provided).
3. If necessary, align the Photo Eyes by loosening the wing nut. (This step may be further required in **Aligning the Photo Eye Safety System** on page 16.)

### To Connect Photo Eye Safety System

1. Connect a pair of wires from either one of the Photo Eyes to a pair of "PHOTO EYE" terminals on the rear of the Opener as shown in Fig. 3. Refer to **Wiring Instructions** on page 13 for proper connections.
2. Repeat above step to connect the other Photo Eye.
3. Refer to **Wiring Instructions** on page 13 to ensure wires are connected properly.